

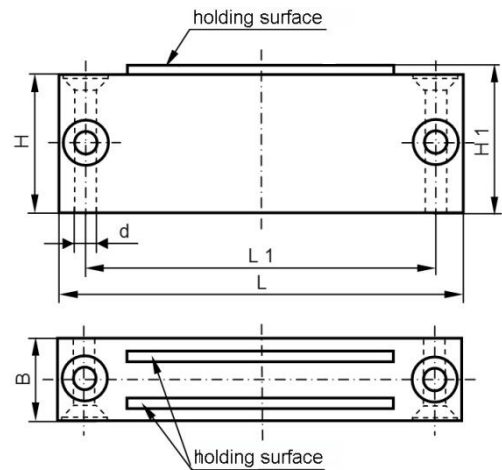
For each application the appropriate holding magnet

- ⇒ Large stock
- ⇒ Samples for R&D
- ⇒ Custom-made magnets
- ⇒ Production of prototypes
- ⇒ Consulting service

**Technical and economical optimal solutions
are our target!**

Magnetic catches with adaptable holding surface

Selection of our stock items (other specifications upon request)



Item no.	Dimensions in mm						Force kg	Colour
	L	B	H	L1	H1	d		
62.7077.A	76	15.5	26	66	27	4.5	10	black
62.7077.B	76	15.5	26	66	27	4.5	30	black

Characteristic

- Housing plastic
- Adaptable holding surface
- Metal parts Zinc coated
- Working temperature up to 80°C (> 80°C upon request)

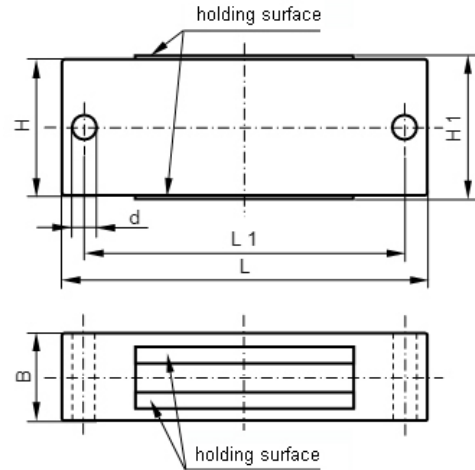
BBA AG

Schachenallee 29 / Postfach
 CH-5001 Aarau
 Tel. +41 62 836 90 40
 Fax +41 62 824 61 40
 www.bba.ch • info@bba.ch



Magnetic catches double-sided with adaptable holding surface

Selection of our stock items (other specifications upon request)



Item no.	Dimensions in mm						Force kg	Colour
	L	B	H	L1	H1	d		
62.7074	67	15.5	24	59	25	4.5	10	black
62.7074.A	67	15.5	24	59	25	4.5	30	black

Characteristic

- Housing plastic
- Double-sided adaptable holding surface
- Metal parts Zinc coated
- Working temperature up to 80°C (> 80°C upon request)

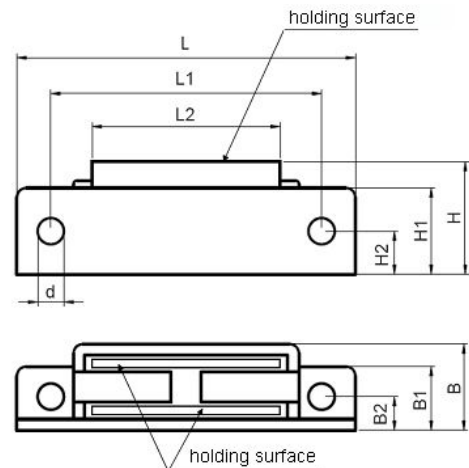
BBA AG

Schachenallee 29 / Postfach
 CH-5001 Aarau
 Tel. +41 62 836 90 40
 Fax +41 62 824 61 40
 www.bba.ch • info@bba.ch



Magnetic catches with adaptable holding surface

Selection of our stock items (other specifications upon request)



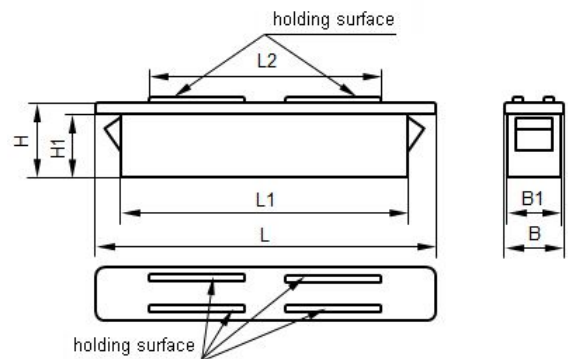
Item no.	Dimensions in mm										Force kg	Colour
	L	B	H	L1	B1	H1	L2	B2	H2	d		
62.7045	45	11.5	15	36	8.5	11.5	25	4.5	5.5	3.5	4	silver

Characteristic

- Housing aluminium
- Adaptable holding surface
- Metal parts Zinc coated
- Working temperature up to 250°C
- Counterpart optional

Magnetic catches latchable with adaptable holding surface

Selection of our stock items (other specifications upon request)



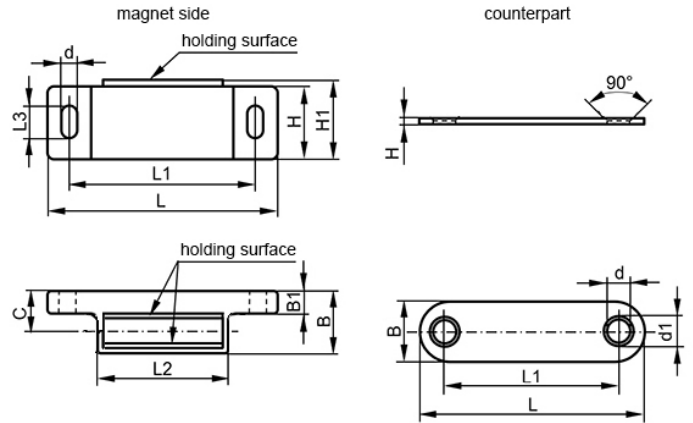
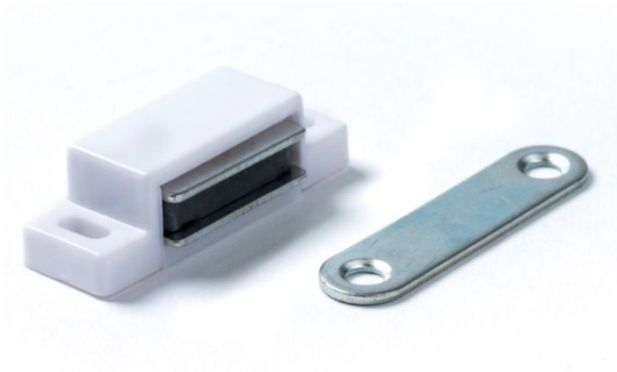
Item no.	Dimensions in mm							Force kg	Colour	Counterpart
	L	L1	L2	B	B1	H	H1			
62.7039	39.5	33.5	21.5	10	8	12	11	3.5	white	included
62.7070.A	64	54.5	43	10	9.7	13	11.5	6	white	without

Characteristic

- Housing plastic
- Adaptable holding surface
- Latchable
- Metal parts Zinc coated
- Working temperature up to 80°C (> 80°C upon request)

Magnetic catches with adaptable holding surface

Selection of our stock items (other specifications upon request)



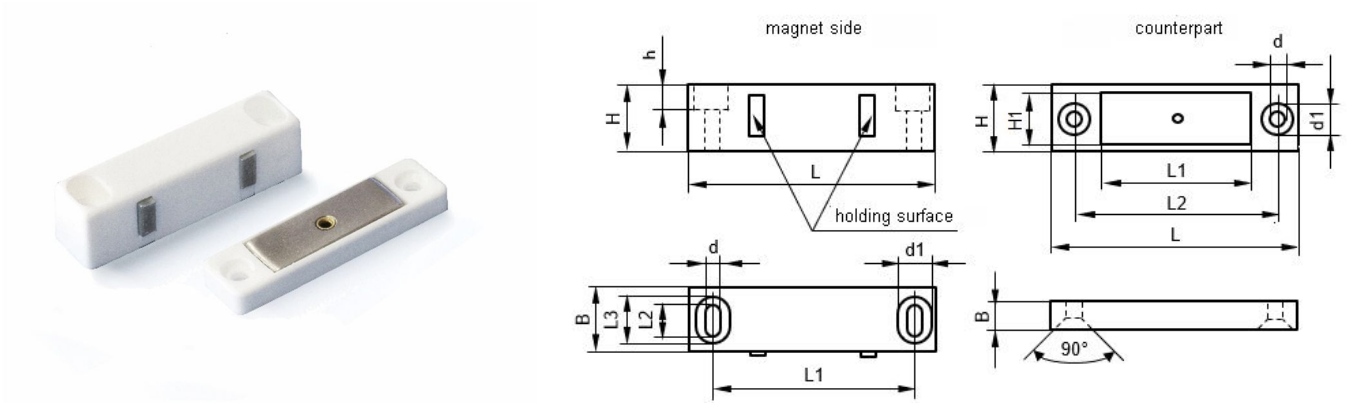
Item no.	Dimensions in mm										Force	Colour
Magnet												
	L	B	H	L1	B1	H1	L2	d	L3	C	kg	
62.7049.A	46	13.5	14.5	38	4.5	16	28	3.5	7	8	2.5	white
62.7049.B	46	13.5	14.5	38	4.5	16	28	3.5	7	8	4	white
Counterpart												
	L	B	H	L1	d	d1						
	45	12	1.2	35	4.7	6.2						Zn-coated

Characteristic

- Housing plastic
- Adaptable holding surface
- Metal parts Zinc coated
- Working temperature up to 80°C (> 80°C upon request)
- Fastening with screw M3 (not included)

Magnetic catches with adaptable holding surface

Selection of our stock items (other specifications upon request)



Item no.	Dimensions in mm									Force	Colour
	Magnet side										
	L	B	H	L1	L2	d	L3	d1	h	kg	
62.7048	48	12	13	39	6	3.5	9	6.5	5	3	white
	Counterpart										
	L	B	H	H1	L1	L2	d	d1			
	48	5.5	13	10	30	39	3.3	6.3			white

Characteristic

- Housing plastic
- Adaptable holding surface
- Metal parts Zinc coated
- Working temperature up to 80°C (> 80°C upon request)